

iSC GmbH
Customer Service
Eschenstraße 6
94405 Landau/Isar

Telephone: +49 9951 959 2019
Email: service-de@einhell.com

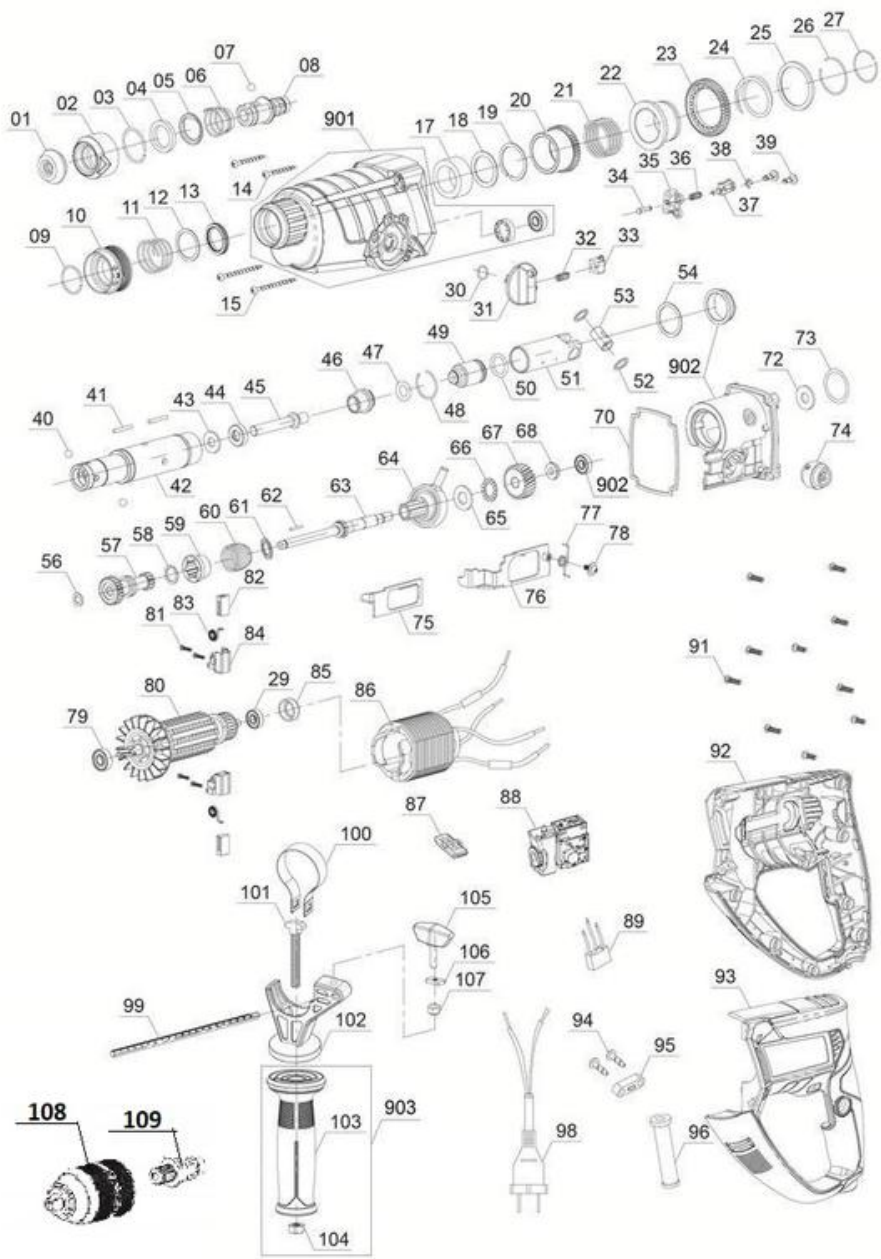


Rotary Hammer
TE-RH 950 5F

Article number: 4257978
Ident number: 21011

Spare parts

Pos	Art.	Ident number	Product Name
	4257979	00010	TE-RH 950 5F for Kit
	4530064	00010	E-Box Basic M42 for Kit



Spare parts

Pos	Art.	Ident number	Product Name	Pos	Art.	Ident number	Product Name
	425797801099	00000	color box	067	425797101067	00000	Small gear
001	425797101001	00000	SDS rubber cover	068	425797101068	00000	Cylinder pin washer
002	425797101002	00000	SDS lock cover	070	425797101070	00000	Seal
003	425797101003	00000	axile retainer ring 21	072	425797101072	00000	Felt
004	425797101004	00000	Washer f21xf30x4	073	425797101073	00000	O ring 23.2x2.5
005	425797101005	00000	Butterfly ring 21	074	425797101074	00000	Inner knob
006	425797101006	00000	Tower spring	075	425797101075	00000	Low speed slide board
007	425797101007	00000	Steel ball 7.144	076	425797101076	00000	High speed slide board assembl
008	425797101008	00000	Shock collar	077	425797101077	00000	Slide board twist spring
009	425797101009	00000	axile retainer ring 24.5x1.5	078	425797101078	00000	Cross groove screw combined sc
010	425797101010	00000	Lock collar	079	425797101079	00000	Bearing 609RS
011	425797101011	00000	Tower spring	080	425797101080	00000	rotor
012	425797101012	00000	retainer ring f24.5xf30x1	081	425797101081	00000	self-tapping screw ST2.9x13-C
013	425797101013	00000	Oil seal 25x33x5	082	425797101082	00000	Brush (Pair)
014	425797101014	00000	self-tapping screw ST4.2x60-F	083	425797101083	00000	Brush spring
015	425797101015	00000	self-tapping screw ST4.2x50-F	084	425797101084	00000	Brush holder assembly
017	425797101017	00000	Needle bearing NK2516	085	425797101085	00000	Bearing sleeve
018	425797101018	00000	Washer (II)	086	425797101086	00000	stator
019	425797101019	00000	Elastic ring 31	087	425797101087	00000	Switch push plate
020	425797101020	00000	High speed gear	088	425797101088	00000	Switch
021	425797101021	00000	Double speed reset spring	089	425797101089	00000	Capacitance
022	425797101022	00000	Shaft sleeve	091	425797101091	00000	self-tapping screw ST4.2X16-F
023	425797101023	00000	Slide gear	092	425797301092	00000	Right housing
024	425797101024	00000	Press spring	093	425797301093	00000	Left housing
025	425797101025	00000	Chamfer ring	094	425797101094	00000	self-tapping screw ST4.2X16-F
026	425797101026	00000	axile retainer ring 37	095	425797101095	00000	Press line block
027	425797101027	00000	axile retainer ring 31	096	425797101096	00000	Wire sleeve
029	425797101029	00000	Bearing 607Z	098	425797101098	00000	Cable 3m
030	425797101030	00000	O ring 11x1.5	099	425797101099	00000	Six angle ruler
031	425797101031	00000	Outer knob	100	425797101100	00000	Hoop
032	425797101032	00000	Knob spring	101	425797101101	00000	Hoisting screw M8 x 50
033	425797101033	00000	Locking knob	102	425797101102	00000	Clamp
034	425797101034	00000	Limit shaft	105	425797101105	00000	Depth stop knob M6x25
035	425797101035	00000	gear board seat	106	425797101106	00000	Press ruler block
036	425797101036	00000	Gear board reset spring	107	425797101107	00000	Locking nut M6
037	425797101037	00000	gear board assembly	108	425797101108	00000	Chuck
038	425797101038	00000	Opening ring 3	109	425797101109	00000	Chuck bushing
039	425797101039	00000	self-tapping screw ST4.2x13-F	901	425797901901	00010	Front housing assembly
040	425797101040	00000	Steel ball 5.5	902	425797101902	00010	Alu seat assembly
041	425797101041	00000	Needle P3x22.8	903	425797901903	00010	Assistant handle assembly
042	425797101042	00000	Impact shaft				
043	425797101043	00000	Cushioning cushion				
044	425797101044	00000	Limit block				
045	425797101045	00000	Hammer pillar				
046	425797101046	00000	Limit sleeve				
047	425797101047	00000	O ring 11x3.55				
048	425797101048	00000	Steel wire retaining ring for strike hammer				
049	425797101049	00000	O ring 15x3				
051	425797101051	00000	Cylinder				
052	425797101052	00000	Cylinder pin washer				
053	425797101053	00000	Cylinder pin				
054	425797101054	00000	Grinding washer f29xf35x1				
056	425797101056	00000	Retaining ring				
057	425797101057	00000	Double gear				
058	425797101058	00000	Clutch ring				
059	425797101059	00000	Clutch				
060	425797101060	00000	Clutch press spring				
061	425797101061	00000	Reed ring				
062	425797101062	00000	Needle P2x17.8				
063	425797101063	00000	Transmission shaft				
064	425797101064	00000	Pendulum bearing				
065	425797101065	00000	Thrust washer 1024				
066	425797101066	00000	Thrust needle bearing 1024				

E-Box Basic M42 for Kit

Article number: 4530064
Ident number: 00010

Spare parts

Pos	Art.	Ident number	Product Name
	453006401852	00000	case M42

Front housing assembly

Article number: 425797901901
Ident number: 00010

Spare parts

Pos	Art.	Ident number	Product Name
016	425797901016	00000	Front housing
028	425797101028	00000	Front shell insert
029	425797101029	00000	Bearing 607Z

Alu seat assembly

Article number: 425797101902
Ident number: 00010

Spare parts

Pos	Art.	Ident number	Product Name
055	425797101055	00000	Oil bearing
069	425797101069	00000	Bearing 698-2Z
071	425797101071	00000	Alu seat

Assistant handle assembly

Article number: 425797901903
Ident number: 00010

Spare parts

Pos	Art.	Ident number	Product Name
103	425797901103	00000	Assitant handle
104	425797101104	00000	Six angle Nut M8